

## EPS 8000

555/625/750/800 kVA

*Where Power and  
Reliability Converge*



### Advanced Features

- ▶ 0.9 output Power Factor
  - ▶ Space saving footprint/highest kW per square foot
  - ▶ High energy efficiency
  - ▶ Advanced graphical user interface\*
  - ▶ 12 pulse rectifier
  - ▶ Ultra low kVAR data grade input filter
  - ▶ Fault tolerant circuitry
  - ▶ Excellent generator compatibility
  - ▶ Non-linear load optimized
  - ▶ IGBT PWM inverter with Digital Power Quality logic
  - ▶ Precision output voltage regulation
  - ▶ Advanced battery management system
  - ▶ 100% step load enabled
  - ▶ Integrated isolation transformer
  - ▶ True front access
  - ▶ Easy integration with most monitoring systems
- \* optional

# EPS 8000

***The EPS 8000 specifications read like a list of ideal answers to today's***

***critical power user requirements.*** Featuring a true IGBT PWM inverter that feeds up to 720 kW per UPS of computer grade power (<4% THD) to your critical loads, the **EPS 8000** meets all your high power requirements in a compact footprint.

**EPS 8000** users will enjoy substantial cost savings as MGE's Digital

Power Quality logic keeps the inverter efficiency high even when the UPS is lightly loaded. On the input side, a 12 pulse rectifier combined with MGE's data grade input filter boasts very low THD, low kVAR, and no leading power factor; making the **EPS 8000** ideal for generators. All of these features and more make the **EPS 8000** the best choice for high availability critical power systems.

**MGE UPS SYSTEMS**  
*the chosen solution for 95% of Fortune 100 companies*

THE UNINTERRUPTIBLE POWER PROVIDER

**M G E**  
UPS SYSTEMS

Technical Specifications	555kVA/500kW	555kVA/500kW	625kVA/562kW	625kVA/562kW	750kVA/675kW	800kVA/720kW
Input/Output Voltage <sup>1</sup> (V)	480/480	600/600	480/480	600/600	480/480	480/480
Nominal Input (A)	719	575	817	654	1,034	1,103
Max Input (A)	825	663	923	741	1,126	1,195
Input CB (kAIC)	100	65	100	65	100	100
Trip/Frame Size (A)	1,200/2,000	1,000/2,000	1,200/2,000	1,000/2,000	1,600/2,000	1,600/2,000
Nominal Bypass Current (A)	668	534	752	601	900	960
Maint. Bypass CB <sup>2</sup> (KAIC)	65	65	65	65	65	65
Trip/Frame Size (A)	1,000/1,200	800/1,200	1,000/1,200	800/1,200	1,200/1,200	1,200/1,200
UPS Output Isolation CB <sup>2</sup> (KAIC)	65	25	65	25	65	65
Trip/Frame Size (A)	1,000/1,200	800/1,200	1,000/1,200	800/1,200	1,200/1,200	1,200/1,200
Max Output Current (A)	668	534	752	601	900	960
Max DC Current (A)	1,364	1,364	1,533	1,533	1,766	1,884
DC Breaker						
Trip/Frame Size (A)	1,600/2,000	1,600/2,000	1,600/2,000	1,600/2,000	2,000/2,000	2,000/2,000
System Efficiency (Full load) <sup>5</sup>	93%	93%	93%	93%	93%	93%
Full Load Heat Rejection (BTUs) <sup>5</sup>	125,970	125,970	133,300	133,300	173,000	190,000
Multi Module Width <sup>3</sup> (39"Dx82"H)	121"	121"	121"	121"	121"	121"
Single Module Width <sup>3</sup> -Top Entry (39"Dx82"H)	121"	121"	121"	121"	135"	135"
Maintenance Bypass for single module	22"	22"	22"	22"	22"	22"
Bottom Entry	36"	36"	36"	36"	36"	36"
Battery Disconnect Width (28"Dx90H)	36"	36"	36"	36"	36"	36"
Max. Shipping Split Width	61"	61"	61"	61"	61"	61"
UPS Cabinet Weight <sup>4</sup> (lbs)	12,200	12,200	12,200	12,200	14,000	14,000

<sup>1</sup> Also Available 380V/50Hz/800kVA <sup>2</sup> add to single module width <sup>3</sup> dimensions include isolation transformer & input filter <sup>4</sup> exact weight subject to module configuration <sup>5</sup> based on copper transformer

## Standard Features

- ▶ Input isolation transformer
- ▶ Low kVAR input filter
- ▶ IGBT PWM inverter w/Digital Power Quality logic
- ▶ 12 pulse rectifier
- ▶ Serial and dry contact communications interface
- ▶ Computer aided diagnostics
- ▶ Advanced battery management
- ▶ No rear access
- ▶ Redundant fan assemblies

## Input

- ▶ Input Voltage 480 or 600 VAC (3ph, 3/4W + GRD) +10/-15%
- ▶ Frequency (Hz) 60 Hz ±10%
- ▶ Power Factor 0.9 lagging, .95 with filter 4 kVAR max leading

- ▶ Input Current Distortion 5% max. THD at full load

## Output

- ▶ Power Factor 0.9
- ▶ Voltage 480 or 600 VAC (3ph, 3/4W + GRD)
- ▶ Frequency 60 Hz (selectable ±5%) 0.1% free running

- ▶ Voltage Regulation +/- 0.5% steady state (±2.5% 100% step load)
- ▶ Voltage Distortion 4% max for non-linear loads w/crest factor of 3.5 2% max linear load
- ▶ Inverter Overload 125% for 10 minutes, 150% for 1 minute,
- ▶ Unbalanced Load Up to 100% 120° ±3% (unbalanced load) max. angle displacement, ± 2.5% max. voltage deviation

## Bypass Input

- ▶ Voltage +10/-15% UPS output voltage (3ph, 3/4W + GRD)
- ▶ Frequency 60Hz (±0.25 Hz up to 2 Hz)

## DC Rating

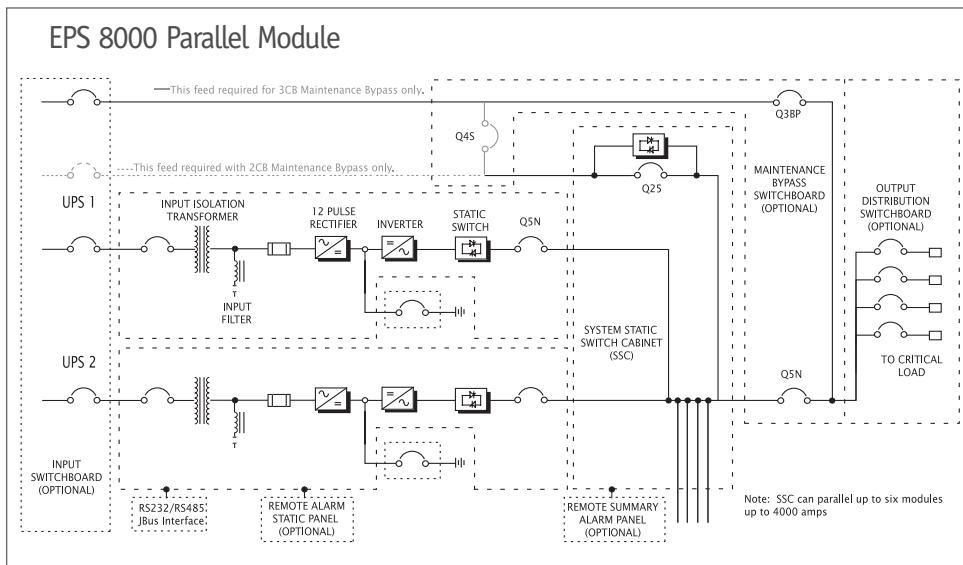
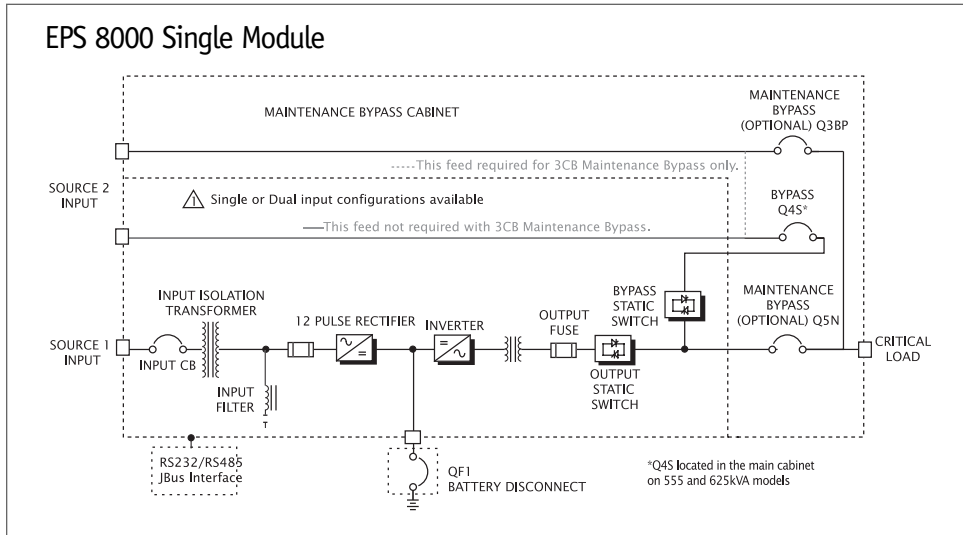
- ▶ Nominal Voltage 480 VDC

## Environmental Specifications

- ▶ Operating Temperature 0°C to 40°C (32°F to 104°F)
- ▶ Non-operating: -20°C to +45°C (-4° to 113°F)
- ▶ Audible Noise 75 dB @ 5'
- ▶ Relative Humidity 0-90% non-condensing

## Options

- ▶ Graphical User Interface with Network Connection
- ▶ Battery Disconnect
- ▶ External Maintenance Bypass
- ▶ Critical Bus Synchronization Module
- ▶ Remote Alarm Status Panel (RASP)
- ▶ Remote Summary Alarm Panel (RSAP)
- ▶ Output Distribution
- ▶ Continuous Duty and Overlap System Static Switch Cabinet (SSC)
- ▶ Network Management Card/Web SNMP
- ▶ Bottom Cable Entry
- ▶ Seismic Anchors
- ▶ Battery Monitoring
- ▶ Raised Floor Stands
- ▶ Power Management



## MGE UPS SYSTEMS

**USA** (headquarters)  
1660 Scenic Avenue  
Costa Mesa, CA 92626  
tel (800) 523-0142  
(714) 557-1636  
fax (714) 557-9788

**CANADA**  
#9, 2798 Thamesgate Dr.  
Mississauga, ON L4T 4E8  
tel (905) 672-0990  
(877) 672-0990  
fax (905) 672-7667

**MEXICO**  
Ave. Congreso de la Union  
#524 Colonia Santa Anita  
Mexico D.F. 08300  
tel (5255) 538-9687  
fax (5255) 530-7625

**BRAZIL** • Sao Paulo Office  
Avenida Guido Caloi 1985  
(Galpao 23), Guarapiranga  
Sao Paulo -SP,  
05802-140-Brazil  
tel (55) 11-5515-9255  
fax (55) 11-5515-9250

www.mgeups.com  
info@mgeups.com

EPS 8k  
Revision 106  
Effective: July 2007